

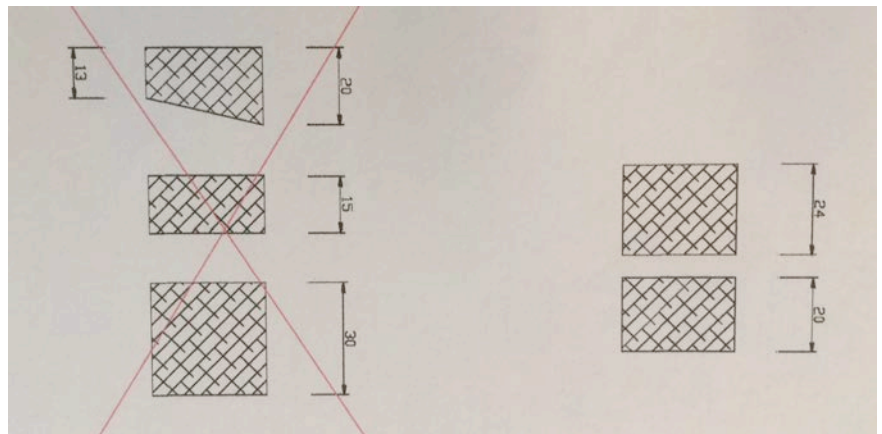
Quality requirements concerning the packaging of oak lumber of Houthandel Wijers vof (09.09.14)

Content:

1. Requirements on sticks
2. Requirements on placing sticks
3. Requirements on construction pallets
4. Stick length and number of boards per row
5. Requirements on parcel

1) Requirements on sticks

Timber species of sticks:	Preferable species are spruce, pine, birch and poplar. Oak and beech are also possible.
Moisture content of sticks:	It is not preferable to use fresh cut sticks due to dye flows. The moisture content of the sticks should be air dried (18 %) or lower.
Size of sticks:	Thickness should be between 20 mm and 24 mm.
Size differences:	Thickness differences are not allowed. All sticks should have the same thickness. This is very important because of decreasing of quality during drying of lumber.
Bark:	Sticks should be clean of bark
Length of sticks:	Length of sticks should be 110 cm.
Examples of sticks:	Examples of false sticks (left) and good sticks (right).



2) Requirements on placing sticks

Distance between sticks:

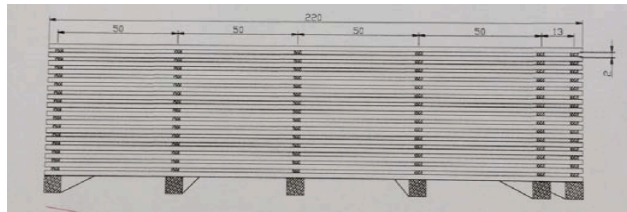
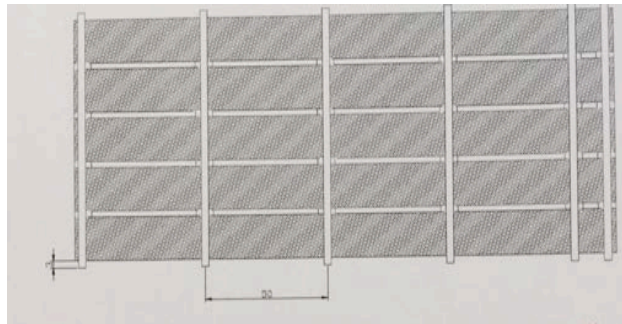
Distance between the sticks should be 50 cm. At the end of the bundle the sticks should be closer (see pictures below)

Placement in parcel:

The sticks should be placed perpendicular above it's other. (see pictures below)

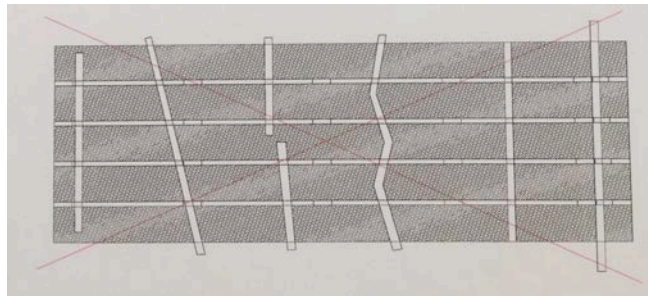
Examples of good placement of sticks:

Distance between sticks is 50 cm. At the end the distance is smaller, depending on length of the boards



Examples of bad placement of sticks

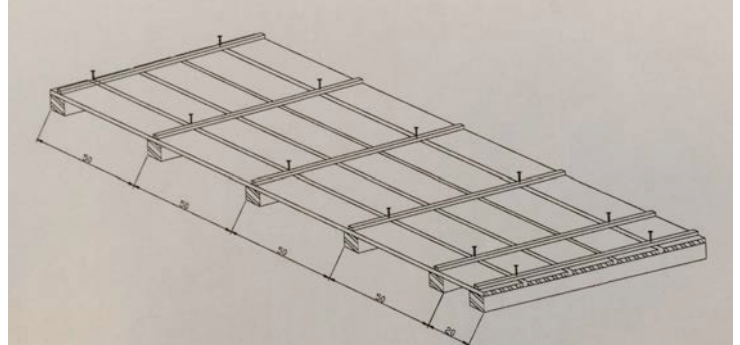
Below two bad examples of stacking which is not allowed. Putting two short sticks are not allowed.



3) Requirements on pallets

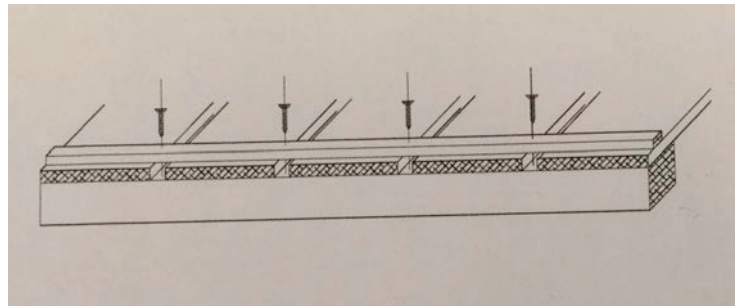
Placement of beams:

When starting with making the parcel, every 50 cm a beams with size 75 x 75 mm or 35 x 75 mm will be place under the boards in order to make a stable parcel sticks will be placed perpendicular above the beams.



Fixing the beams:

To fix the beams nails or screws will put into the stick and connected with the beams.



4) Stick length and number of boards per row

Stick length:

Length of all sticks should be 110 cm or 115 cm

Number of boards per row:

Sticks length of 110 cm:

Invoice size 140 mm >> 7 boards per row
Invoice size 160 mm >> 6 boards per row
Invoice size 160 mm >> 6 boards per row
Invoice size 180 mm >> 5 boards per row
Invoice size 200 mm >> 5 boards per row
Invoice size 220 mm >> 4 boards per row
Invoice size 240 mm >> 4 boards per row
Invoice size 260 mm >> 4 boards per row
Invoice size 300 mm >> 3 boards per row
Invoice size 330 mm >> 3 boards per row

Sticks length of 115 cm:

Invoice size 280 mm >> 4 boards per row

5) Requirements on parcel

- Number of boards per parcel:** Minimum boards per parcel is 30.
- Length:** There is only one length possible in one parcel.
- Numbering of parcels:** On the cross section of the parcels, the parcel numbers will be written clear with spray. (see picture below)
- Top layer of a parcel:** The top layer should be totally filled with boards. Below a parcel where the top layer is correct stacked.



Two parcels where the top layer is **not** correct stacked.



Instructions labelling:

Don't use any information cards anymore.
Don't write only the parcel number on top of the parcel.

You have to follow the following instructions:

Write on the cross section of the parcel the parcel number;

Use an airbrush in black or blue color (not red or orange!);

Size of the parcel number should be between 20 and 40 cm;

When the parcel contains first quality timber, write I behind the number; and

When the parcel contains mix quality timber, write nothing behind the number.

